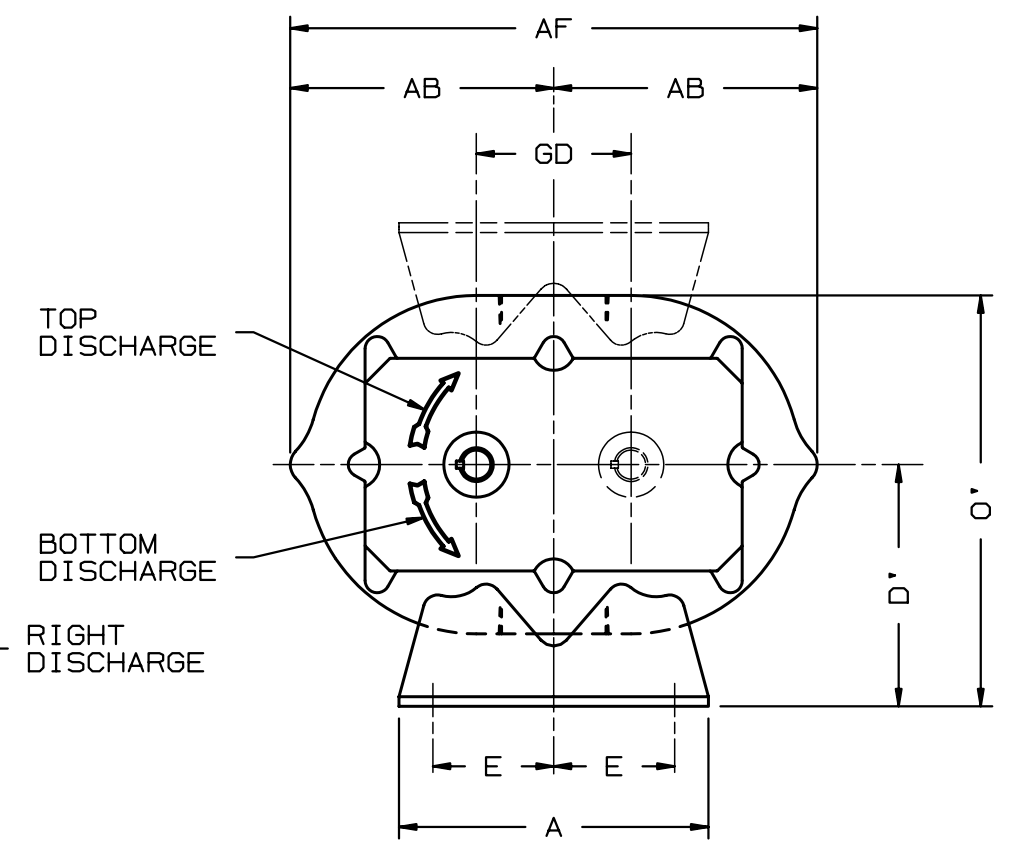
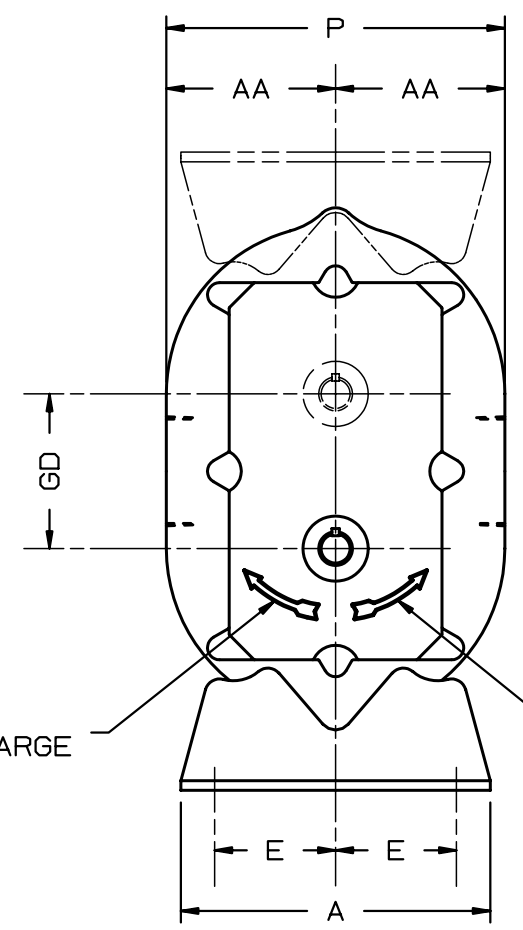
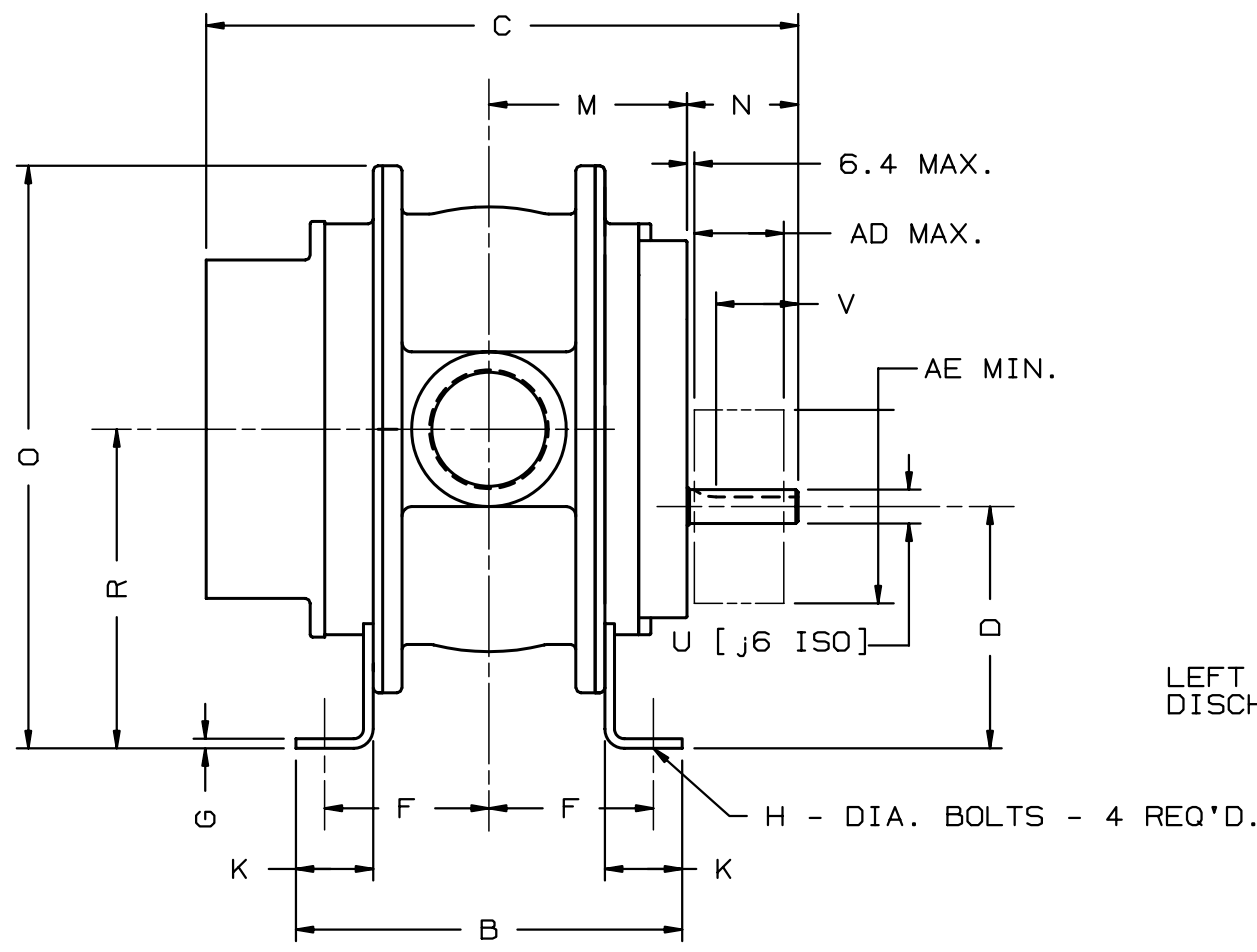


FRAME	APPROX. OIL CAPACITY			
	GEAR END SUMP		DRIVE END SUMP	
	VERTICAL	HORIZONTAL	VERTICAL	HORIZONTAL
32, 33, 36	0.25 Liters	0.47 Liters	0.12 Liters	0.19 Liters
42, 45, 47	0.38 Liters	0.68 Liters	0.16 Liters	0.32 Liters
53, 56, 59	0.47 Liters	0.82 Liters	0.22 Liters	0.44 Liters



W - INLET & DISCHARGE
 AD - SHEAVE WIDTH
 AE - SHEAVE DIAMETER

ALL DIMENSIONS IN mm

METRIC UNIVERSAL RAI[®] DSL BLOWER

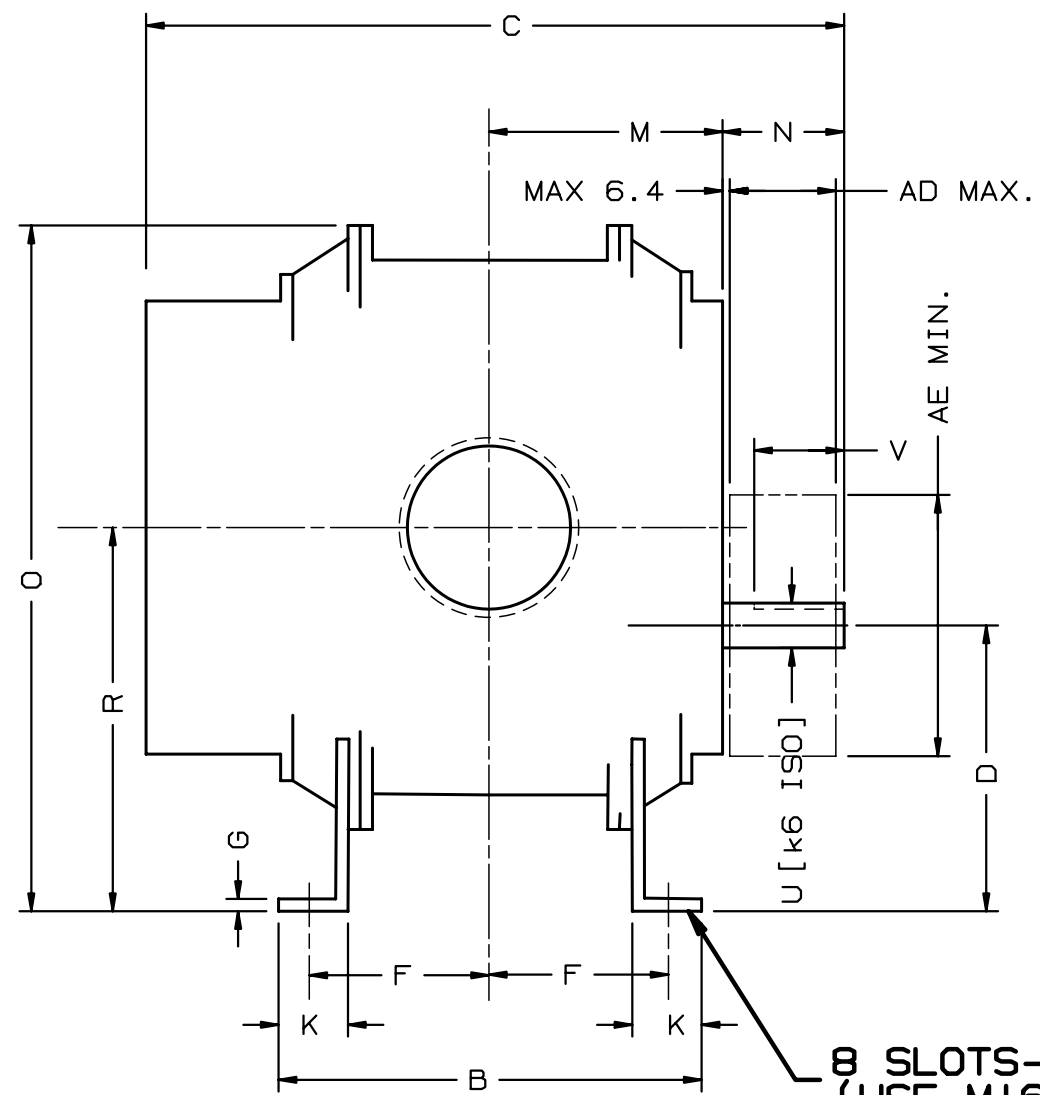
FRAME SIZE	GD	A	B	C	D	D'	E MIN.	E MAX.	F MIN.	F MAX.	G	H	K	M	N	O	O'	P	R	U	KEYWAY	W BSP/ISO	V	AA	AB	AD	AE	AF	APPROX. WT. Kg.
32M	88.9	184	171	286	127	127	64	73	65	71	6.4	M12	44	90	58	325	225	197	171	19.009	6 x 6	1-1/4	41.5	98	154	48.5	127	308	32.7
33M	"	"	194	308	"	"	"	"	76	83	"	"	"	101	"	"	"	"	"	18.996	"	2	"	"	"	"	"	"	35.0
36M	"	"	254	371	"	"	"	"	106	113	"	"	"	131	61	"	"	"	"	"	"	2-1/2	44.5	"	"	"	"	"	47.7
42M	101.6	203	184	330	159	159	76	79	64	79	7.9	M12	51	96	78	383	270	222	210	24.009	8 x 7	1-1/2	50.8	111	173	58.5	127	346	41.8
45M	"	"	254	394	"	"	"	"	90	108	"	"	"	131	72	"	"	"	"	23.996	"	2-1/2	"	"	"	"	"	"	51.3
47M	"	"	298	448	"	"	"	"	117	137	"	"	"	153	82	"	267	216	"	"	3	"	108	"	"	"	"	59.9	
53M	127	267	213	391	159	171	89	89	81	94	6.4	M12	48	115	93	441	302	260	222	28.009	8 x 7	2-1/2	63.5	130	219	77.5	153	438	67.2
56M	"	"	279	457	"	"	"	"	108	127	"	"	"	148	85	"	311	279	"	27.996	"	4	"	140	"	"	"	"	79.5
59M	"	"	356	533	"	"	"	"	152	165	"	"	"	186	98	"	"	"	"	"	"	4	"	"	"	"	"	94.9	

CERTIFIED CORRECT FOR
 CUSTOMER ORDER No. _____
 ROOTS ORDER No. _____
 DATE _____

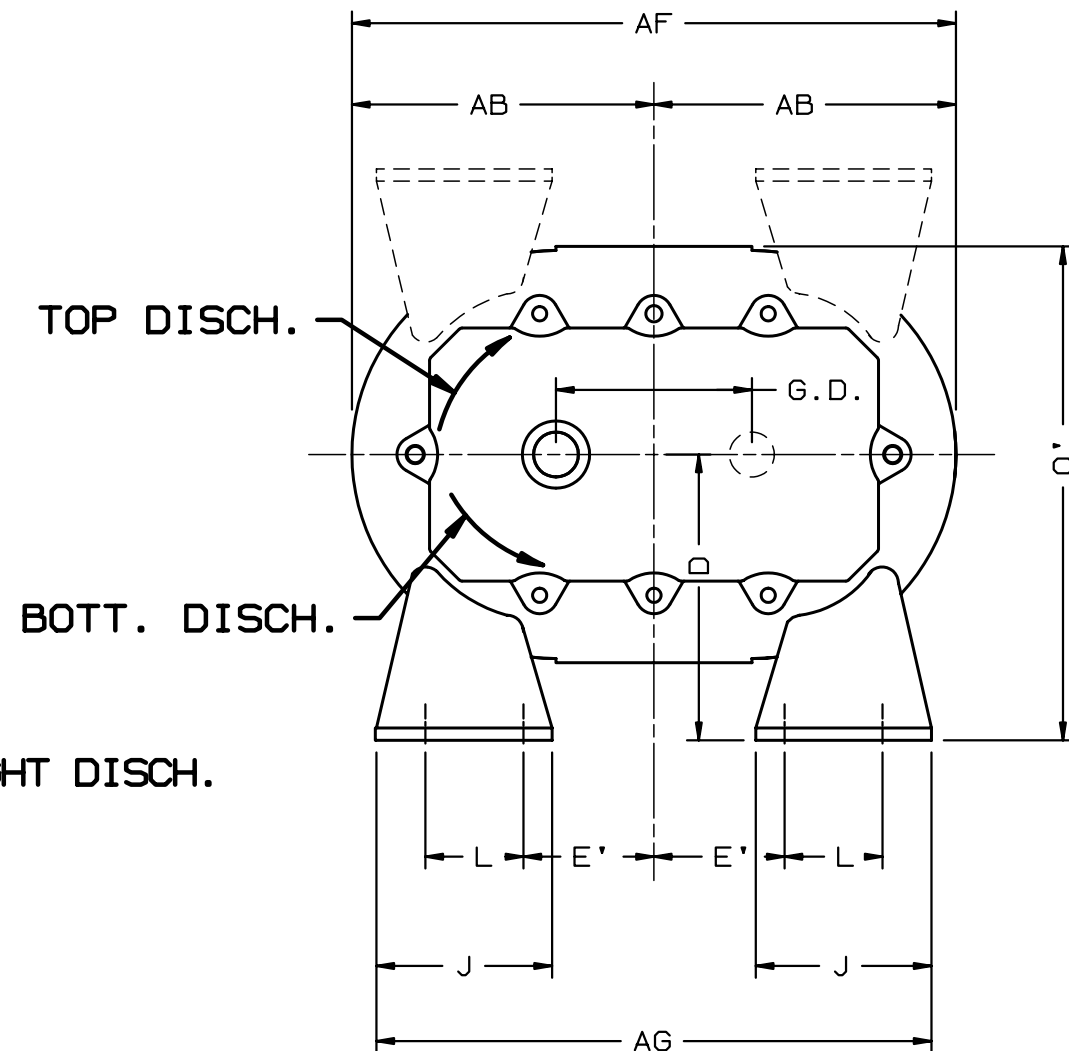
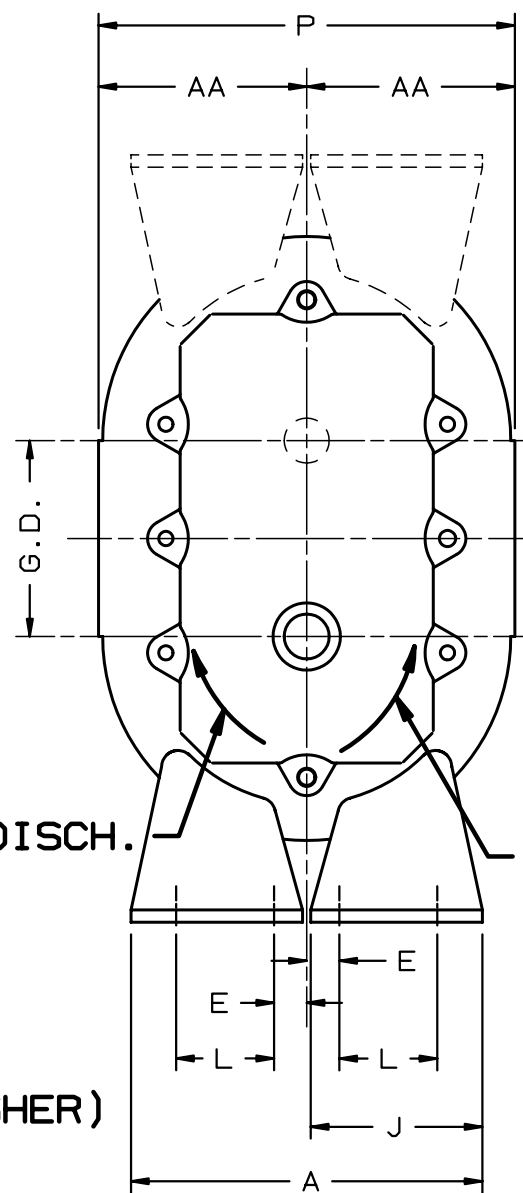
REVISIONS	BY	CHANGE NOTICE	CHKD.

DRESSER ROOTS
 DRESSER, INC.
 HOUSTON, TX USA

0/01/03 RK	RK	AGP	T3045606 I	REV.
DR	CHKD	APP		



8 SLOTS-22 mm WIDE
(USE M16 BOLTS W/WASHER)



UNIT SIZE	APPROX. OIL CAP. (IN Liters)				G.D. (in mm)
	VERT.		HORIZ.		
	GEAR END	DRIVE END	GEAR END	DRIVE END	
6"	.84	.46	1.54	.90	152.4

	150NP10
OPENING	152
BOLT CIRCLE	240
FLANGE O.D.	279
NO. TAPPED HOLES	8
SIZE HOLES	M20 X 2.5P
TAP DEPTH	28.6

W-INLET & DISCHARGE
AD-SHEAVE WIDTH
AE-SHEAVE DIA.
ALL DIM. IN mm

METRIC UNIVERSAL RAI[®] DSL BLOWER

FRAME SIZE	A	B	C	D	E	E'	F	G	J	K	L	M	N	O	O'	P	R	U	V	KEYWAY	W	AA	AB	AD	AE	AF	AG	APPROX. WT. Kg.
65 M	279	254	467	222	25	102	97	10	137	54	76	144	90	549	384	324	298		67	10 X 8	3 BSP/ISO	162	251	87	203	502	432	114
68 M	"	330	543	"	"	"	135	"	"	"	"	182	93	"	"	"	"	32.018 32.002	"	"	5 BSP/ISO	"	"	"	"	"	"	132
615 M	"	508	721	"	"	"	224	"	"	"	"	271	"	"	413	381	"	"	"	"	150 NP10	191	"	"	"	"	"	195

CERTIFIED CORRECT FOR
CUSTOMER ORDER No. _____
ROOTS ORDER No. _____
DATE _____

REVISIONS

BY _____ CHANGE NOTICE _____ CHKD. _____



DRESSER ROOTS
DRESSER, INC.
HOUSTON, TX USA

RK 10-03-03
DR

RK
CHKD

AGP
APP

T30475061

REV. _____