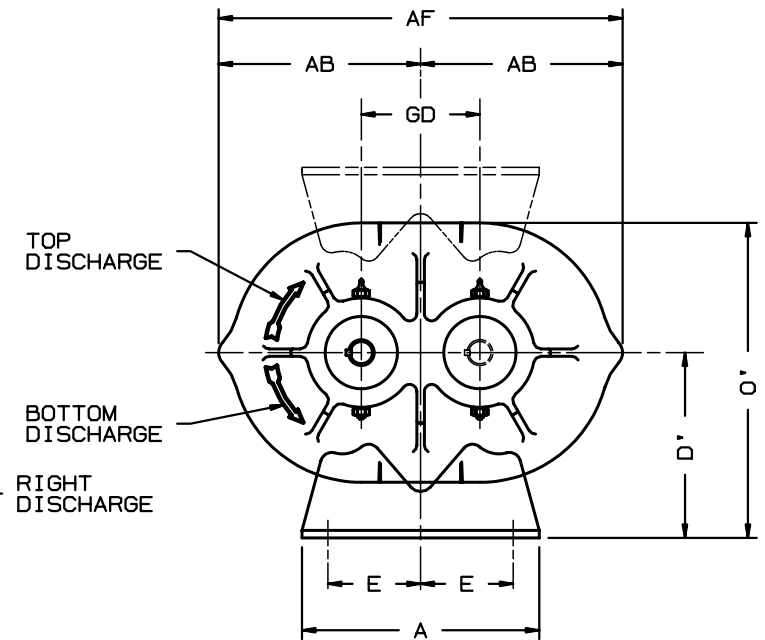
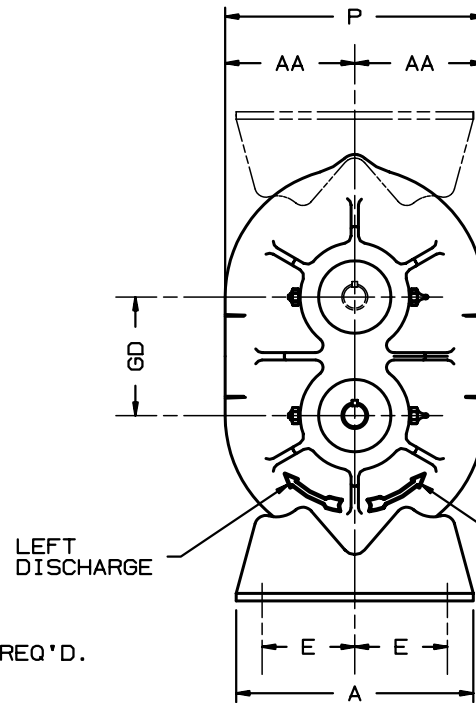
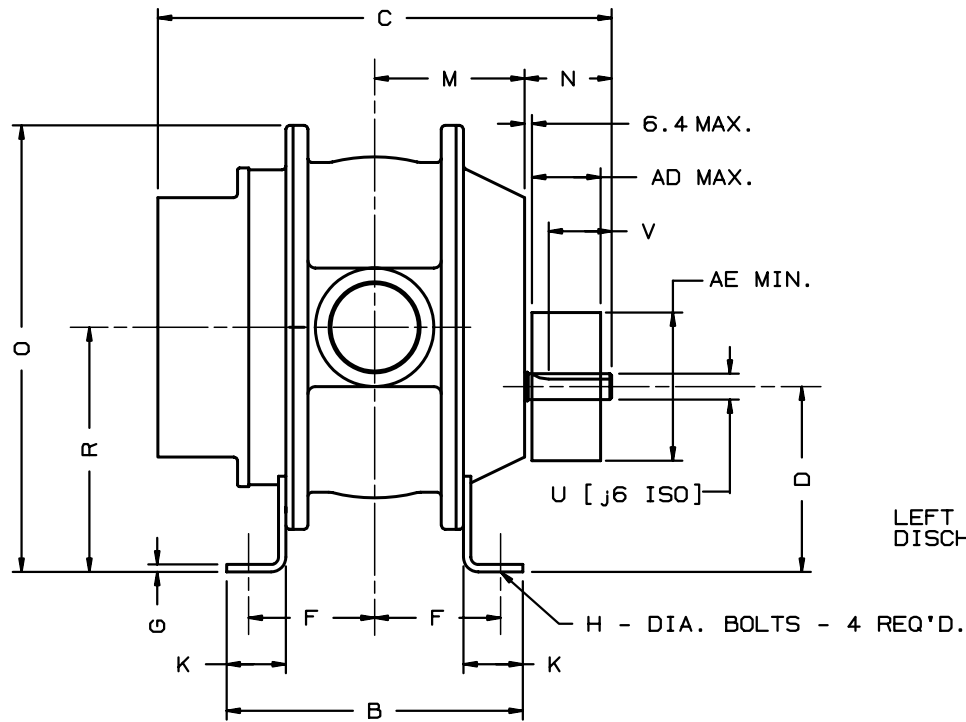


FRAME	APPROX. OIL CAPACITY	
	VERTICAL	HORIZONTAL
22 & 24	0.10 Litres	0.18 Litres
32, 33, 36	0.25 "	0.47 "
42, 45, 47	0.37 "	0.67 "
53, 56, 59	0.47 "	0.82 "



W - INLET & DISCHARGE
AD - SHEAVE WIDTH
AE - SHEAVE DIAMETER

ALL DIMENSIONS IN mm

METRIC UNIVERSAL RAI[®] BLOWER

H

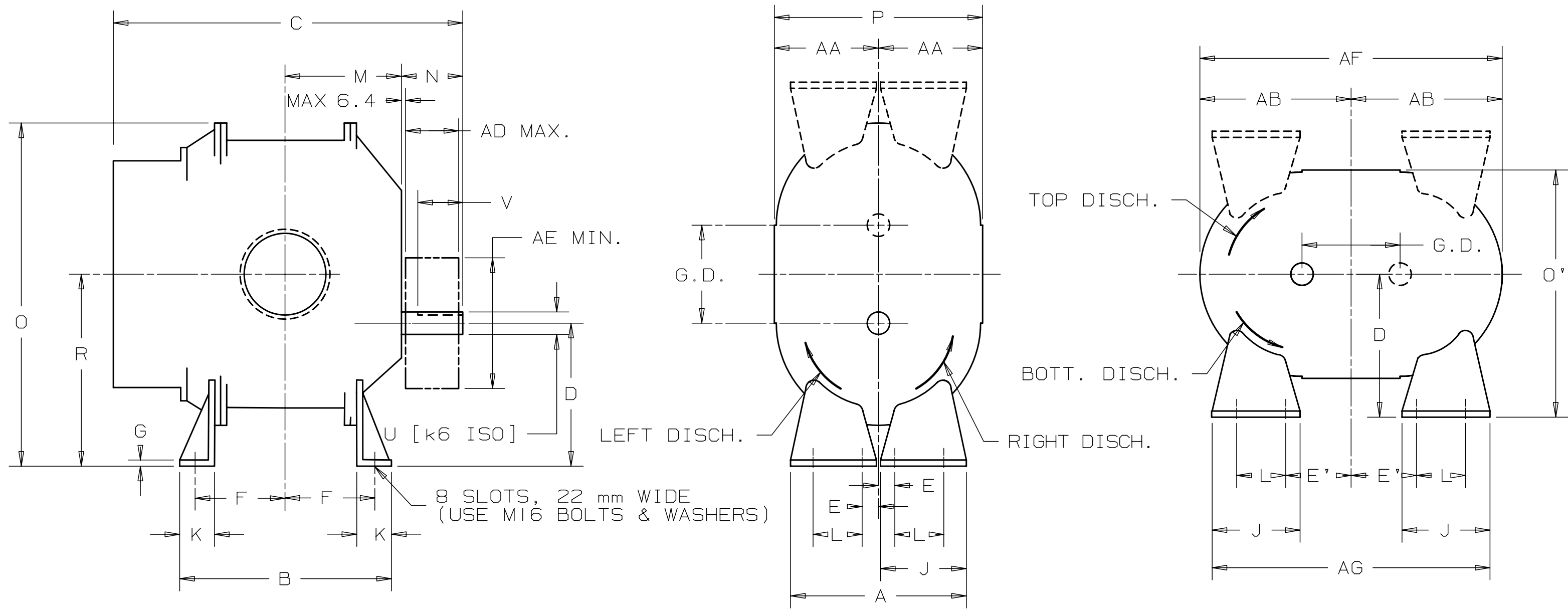
FRAME SIZE	GD	A	B	C	D	D'	E MIN.	E MAX.	F MIN.	F MAX.	G	H	K	M	N	O	O'	P	R	U	KEYWAY	W BSP/ISO	V	AA	AB	AD	AE	AF	APPROX. WT. Kg.	
22M	63.5	130	127	248	95	95	38	51	51	51	6.4	M10	32	67	64	245	175	159	127	16.008	5 x 5	1	46	79	118	44.5	102	235	14.5	
24M	"	"	178	298	"	"	"	"	76	76	"	"	"	92	"	"	"	"	"	15.997	"	2	"	"	"	"	"	"	19.5	
32M	88.9	184	171	286	127	127	64	73	65	71	6.4	M12	44	86	62	325	225	197	171	19.009	6 x 6	1-1/4	41.5	98	154	48.5	127	308	31.5	
33M	"	"	194	308	"	"	"	"	76	83	"	"	"	97	"	"	"	"	"	18.996		2	"	"	"	"	"	"	"	33.5
36M	"	"	254	371	"	"	"	"	106	113	"	"	"	127	65	"	"	"	"	"		2-1/2	44.5	"	"	"	"	"	"	46.5
42M	101.6	203	184	330	159	159	76	79	64	79	7.9	M12	51	93	81	383	270	222	210	24.009	8 x 7	1-1/2	50.8	111	173	58.5	127	346	40.0	
45M	"	"	254	394	"	"	"	"	90	108	"	"	"	129	75	"	"	"	"	23.996		2-1/2	"	"	"	"	"	"	"	49.5
47M	"	"	298	448	"	"	"	"	117	137	"	"	"	151	84	"	"	"	"	"		3	"	108	"	"	"	"	"	58.0
53M	127	267	213	391	159	171	89	89	81	94	6.4	M12	48	114	94	441	302	260	222	28.009	8 x 7	2-1/2	63.5	130	219	77.5	153	438	65.0	
56M	"	"	279	457	"	"	"	"	108	127	"	"	"	148	86	"	"	"	"	27.996		4	"	140	"	"	"	"	"	77.0
59M	"	"	356	533	"	"	"	"	152	165	"	"	"	186	98	"	"	"	"	"		4	"	"	"	"	"	"	"	92.5

3/23/92
RVE

DB

AGP

7328806 I



METRIC UNIVERSAL RAI[®] BLOWER

UNIT SIZE	APPROX. OIL CAP.		G.D.
	VERT.	HORIZ.	
6"	.84 Liters	1.54 Liters	152.4
7"	.96 Liters	1.76 Liters	177.8

	150NP10	200NP10
OPENING	152	203
BOLT CIRCLE	240	295
FLANGE O.D.	279	343
NO. TAPPED HOLES	8	8
SIZE HOLES	M20 X 2.5P	M20 X 2.5P
TAP DEPTH	28.6	28.6

W-INLET & DISCHARGE
AD-SHEAVE WIDTH
AE-SHEAVE DIA.
ALL DIM. IN mm H

FRAME SIZE	A	B	C	D	E	E'	F	G	J	K	L	M	N	O	O'	P	R	U	V	KEYWAY	W	AA	AB	AD	AE	AF	AG	APPROX. WT. Kg.
65 M	279	254	467	222	25	102	97	10	137	54	76	143	90	549	384	324	298	32.018	67	10 X 8	3 BSP/ISO	162	251	87	203	502	432	111
68 M	"	330	543	"	"	"	135	"	"	"	"	181	94	"	"	"	"	32.002	"	"	5 BSP/ISO	"	"	"	"	"	"	129
615 M	"	508	721	"	"	"	224	"	"	"	"	270	"	"	413	381	"	"	"	"	150 NP10	191	"	"	"	"	"	193
76 M	356	298	506	279	51	140	124	13	171	60	89	151	103	664	525	492	368	38.018	76	10 X 8	4 BSP/ISO	246	295	95	241	591	533	181
711 M	"	425	640	"	"	"	187	"	"	"	"	214	110	"	495	432	"	38.002	"	"	150 NP10	216	"	"	"	"	"	240
718 M	"	603	818	"	"	"	276	"	"	"	"	303	"	"	"	"	"	"	"	"	200 NP10	"	"	"	"	"	"	295

REV KEYWAY LENGTH PER ECN 3758V 8-92