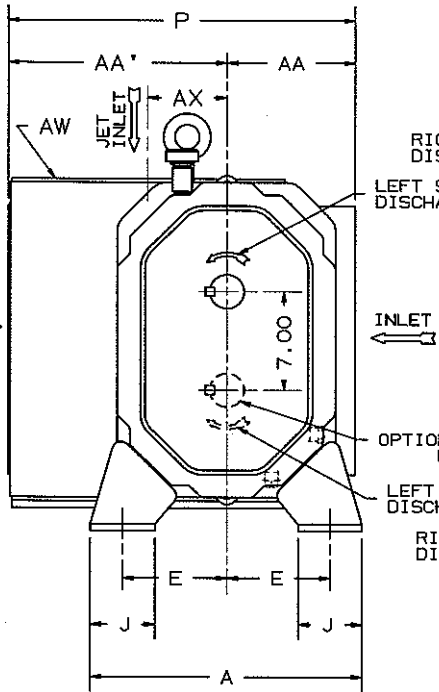


INLET AND DISCHARGE FLANGES TO MATE FLUSH AND SQUARE WITH FLAT FACE FLANGES ONLY. USE FULL FACE GASKETS

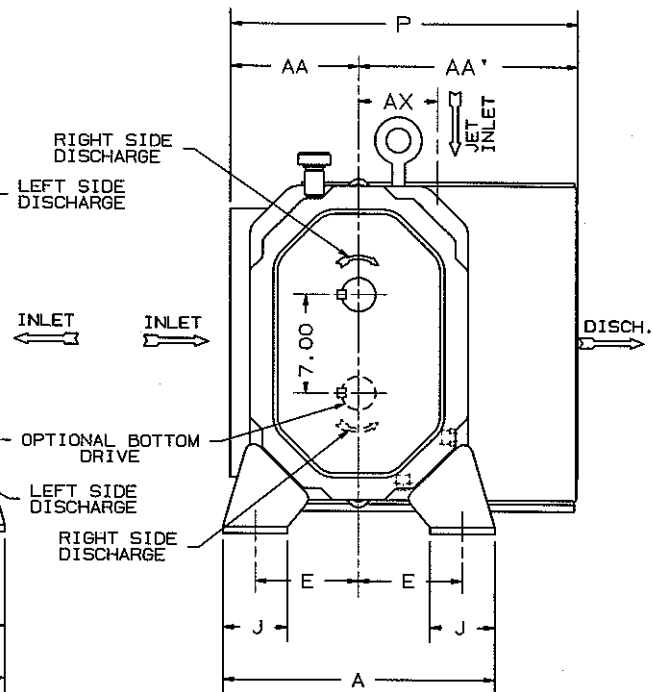
FOR V-BELT DRIVEN UNITS MOTOR TO BE LOCATED ON INLET SIDE OF BLOWER

DISCH.

OIL LEVEL SIGHT GAUGE (FAR SIDE)
H - Ø HOLES (4) REQ'D.



LEFT SIDE DISCHARGE FURNISHED UNLESS OTHERWISE SPECIFIED



RIGHT SIDE DISCHARGE FURNISHED ONLY WHEN SPECIFIED

	12"FLG
OPENING	12.00
BOLT CIRCLE	17.00
FLANGE O.D.	19.00
No TAPPED HOLES	12
SIZE HOLES	7/8-9
TAP DEPTH	1.31

W - INLET & DISCHARGE
AD - SHEAVE WIDTH
AE - SHEAVE DIAMETER
AW - JET INLET

700 DVJ DRY VACUUM WHISPAIR BLOWER

ALL DIMENSIONS IN INCHES

FRAME SIZE	A	B	C	D	E	F	G	H	J	K	M	N	O	P	R	U	V	KEYWAY	W	AA	AA'	AD	AE	AW	AX	APPROX. WEIGHT
721	19.00	27.00	39.38	17.00	7.25	12.38	.50	1.00	4.50	3.00	15.25	4.56	24.88	24.25	13.50	2.375	3.00	.625 x .313	12"FLG	9.00	15.25	4.43	11.80	12"FLG	5.50	1750

C-CHGD LIFTING LUGS NEP 10/19/95 4399V
B-REVISED APPROX. WEIGHT JHB 10-21-93
A-CORRECTED BREATHER RVE 2/24/93

JHB
10-21-92

DB

DLB
1/9/93

873-962-021

XXAD 73962A21