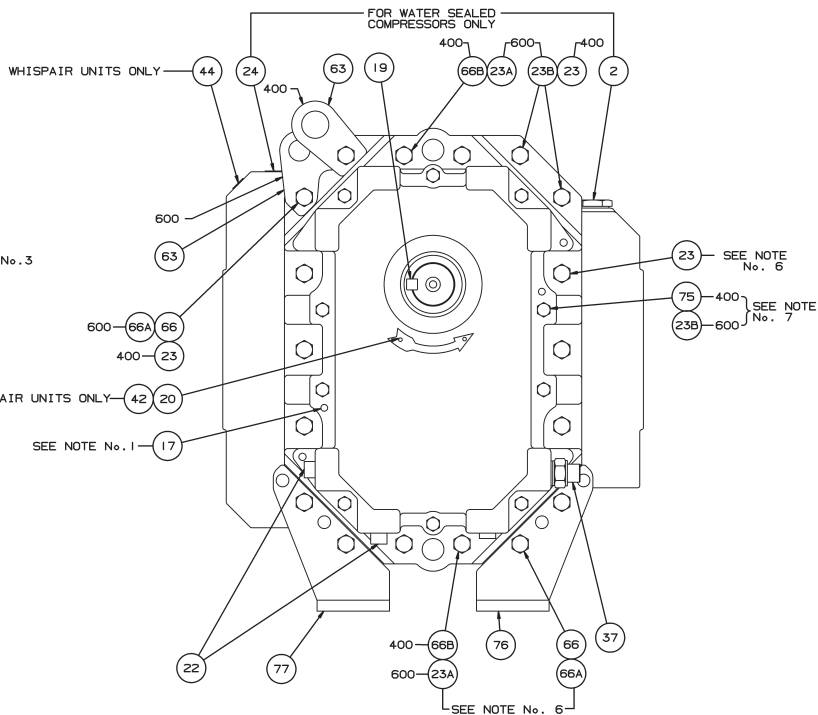
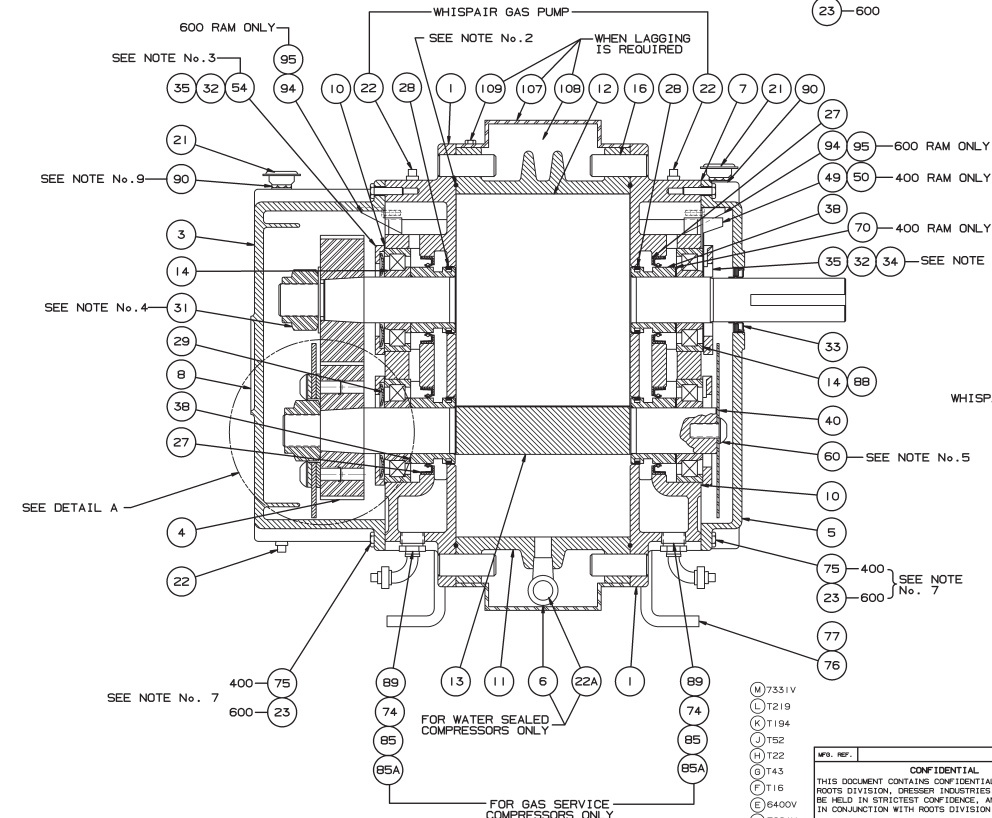
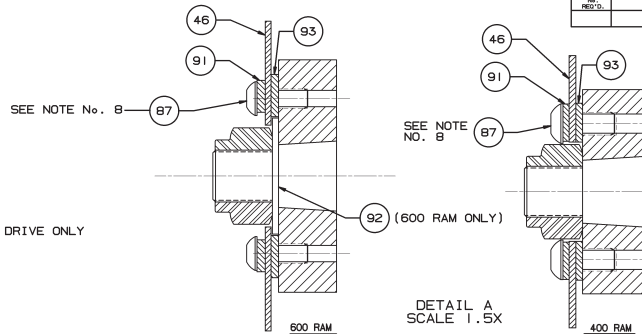
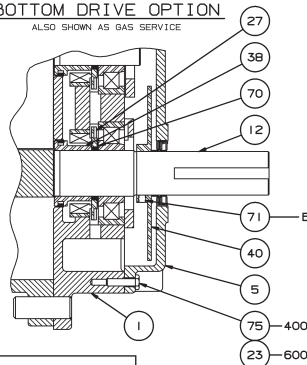


NOTES:

1. DRIVE END COVER TO BE PINNED TO HEADPLATE AFTER ALIGNING SEAL BORE WITH SHAFT WITHIN .001
 2. USE TEFLON SEALANT ON ALL PIPE THREADS & CYLINDER TO HEADPLATE FLANGE FOR WHISPAIR GAS PUMP UNITS ONLY.
 3. ITEMS 34 & 54 MUST BE INSTALLED WITH OIL GROOVE AT TOP.
 4. TORQUE TO 400 FT.-LBS.-400
TORQUE TO 630 FT.-LBS.-600
 5. TORQUE TO 75 FT.-LBS.-400
TORQUE TO 140 FT.-LBS.-600
- APPLY LOCKTITE TO SCREW THREADS & BOTH FACES OF WASHER & SLINGER.
6. TORQUE TO 35 FT.-LBS. (HEADPLATE)
 7. TORQUE TO 10 FT.-LBS. (GEARBOX/END COVER)
 8. LOCKTIGHT AND TORQUE TO FT.-LBS.-75
 9. TWO 1/2 X 3/4 BUSHINGS FOR BREATHERS ON 600 RAM SERIES ONLY

BOTTOM DRIVE OPTION

ALSO SHOWN AS GAS SERVICE



MFG. REF.		DATE		DO NOT SCALE FOR DIMENSIONS		CHECK NO.	
S	BOTT. DRIVE OPTION SLINGER REVERSED	DAB	17/8/07	6203V	DR. NRP	11/06/09	56-1010
R	REVISED GEAR END SLINGERS	AKP	1-28-08	7854V	DRG. EMS	11/06/09	
O	ADDED NOTE TO ITEM 50 & 70	AKP	10-6-08	7591V	APP. RDA	11/23/09	
P	MOVED LIFTING LUG	AKP	4-5-08	7450V	RDA	08V NRP	11/26/09
O	ADDED 66B	RDR	3/8/08	7412V	RDA	SCALE 6"=1" 0"	
N	ADDED LAGGINGS	TC	2/2/08	7331V	RDA	CAD FILE / DIRECTORY	
	REVISIONS	BY	DATE	CHANGE NOTICE	ENG. DR. APP	XASR	

<p>CONFIDENTIAL</p> <p>THIS DOCUMENT CONTAINS CONFIDENTIAL INFORMATION OF ROOTS DIVISION, DRESSER INDUSTRIES, INC. IT SHALL BE HELD IN STRICTEST CONFIDENCE, AND BE USED ONLY IN CONJUNCTION WITH ROOTS DIVISION BUSINESS.</p>		<p>SECTIONAL ASSEMBLY</p> <p>400/600 RAM</p>	
<p>REF: EP938</p> <p>□ FLATNESS</p> <p>△ ANULARTY</p> <p>○ PROFILE OF A SURFACE</p> <p>○ MAXIMUM ICM</p> <p>◇ TRUE POSITION</p> <p>— STRAIGHTNESS</p>		<p>○ CONCENTRICITY</p> <p>□ PERPENDICULARITY</p> <p>○ PROFILE OF A SURFACE</p> <p>○ DIAMETER</p> <p>√ FINISH IN MICRO INCHES</p>	