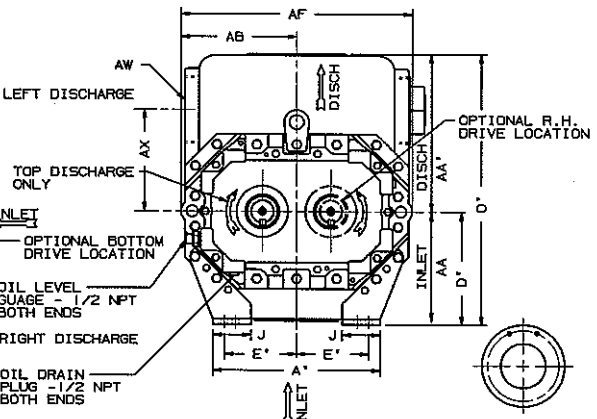
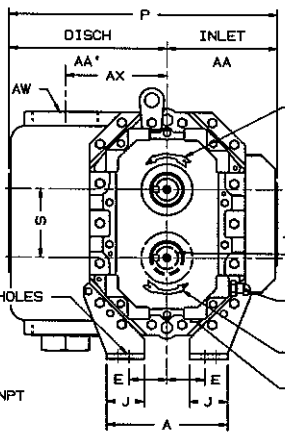
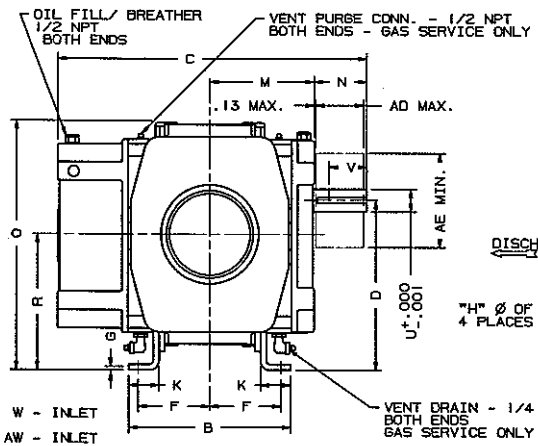


No. REQ'D.	PART NAME	PATT. No. PART No.	MAT'L.
------------	-----------	--------------------	--------



W - INLET
AW - INLET
W' - DISCHARGE
AD - MAXIMUM SHEAVE WIDTH (SEE OVERHUNG LOAD LIMIT K-24102)
AE - MINIMUM SHEAVE DIAMETER (SEE OVERHUNG LOAD LIMIT K-24102)
ALL DIMENSIONS IN INCHES

VENT PURGE CONN. - 1/2 NPT BOTH ENDS - GAS SERVICE ONLY
VENT DRAIN - 1/4 NPT BOTH ENDS GAS SERVICE ONLY
INLET & DISCHARGE FLANGES TO MATE FLUSH & SQUARE WITH FLAT FACE FLANGE ON USE FULL FACE GASKETS.
Y-BELT DRIVEN UNITS: MOTOR TO BE LOCATED ON INLET SIDE OF BLOWER.

A 504BV B 504BV C 5370 D 5560

SIZE	APPROX WEIGHT	FLG	5"	6"	8"	10"
406	365	OPENING	5"	6"	8"	10"
412	575	BOLT CIRCLE	8.50	9.50	11.75	14.25
		FLANGE O.D.	10.00	11.00	13.50	16.00
		No TAPPED HOLES	8	8	8	12
616		SIZE HOLES	5/4-103/4-105/4-107/8-9			
		TAP DEPTH	1.13	1.13	1.13	1.13

FRAME SIZE	A	A'	B	C	D	D'	E	E'	F	G	H	J	K	M	N	O	O'	P	R	S	U	V	KEYWAY	W	W'	AAA	AAA'	AB	AD	AE	AF	AW	AX
406	8.00	11.00	10.75	20.50	11.25	7.50	2.50	4.75	4.75	38.44	2.50	2.00	6.95	3.48	16.38	18.00	17.75	9.00	4.50	1.50	2.75	.375X.188"	1.88"	1.88"	7.25	10.50	7.63	3.06	7.10	15.25	4"	NPT	6.75
412	8.00	11.00	16.75	26.50	11.25	7.50	2.50	4.75	7.75	38.44	2.50	2.00	9.95	3.48	16.63	19.25	17.75	9.00	4.50	1.50	2.75	.375X.188"	6"	6"	6.00	11.75	7.63	3.06	7.10	15.25	5"	FLG	6.50
616	9.00	15.00	20.75	32.19	15.00	9.00	3.50	6.50	9.75	39.56	2.50	2.00	12.4	4.30	22.00	22.75	21.25	12.00	6.00	2.00	3.63	.500 X .250"	8"	10"	7.50	13.75	10.00	4.44	8.50	20.00	8"	FLG	6.75

MPD. REF.

CONFIDENTIAL

THIS DOCUMENT CONTAINS CONFIDENTIAL INFORMATION OF ROOTS DIVISION, DRESSER INDUSTRIES, INC. IT SHALL BE HELD IN STRICTEST CONFIDENCE, AND BE USED ONLY IN CONJUNCTION WITH ROOTS DIVISION BUSINESS.

REF: EP938
 □ FLATNESS
 / ANGULARITY
 // PARALLELISM
 ⊕ TRUE POSITION
 — STRAIGHTNESS

○ CONCENTRICITY
 ⊥ PERPENDICULARITY
 ⤴ PROFILE OF LINE
 ⤵ PROFILE OF A SURFACE
 ∅ DIAMETER
 √ FINISH IN MICRO INCHES

REV	DESCRIPTION	BY	DATE	CHKD.	APP
H	ADDED "INLET" & "DISCH"	RDR		58W	
G	REV "F" DIM & "F" DIM 616	RDR		62W	BMS AGP
F	REV "F" DIM FOR 616	NEP		58W	RLW
E	ADDED 600 DIM	RDR		56Y	BMS

DO NOT SCALE FOR DIMENSIONS
ALL DIMENSIONS SHOWN IN BRACKETS [] ARE MILLIMETERS

DR. RDR
CHKD. BMS
APP. RDA

DATE

ORDER No.

400/600
RAM SERIES
DRY VACUUM RAM-DVJ
HIGH PRESSURE RAM-DPJ

DRESSER ROOTS

ROOTS DIVISION
DRESSER EQUIPMENT GROUP
A HALLIBURTON COMPANY
HOUSTON, TX USA

78391021

REV H