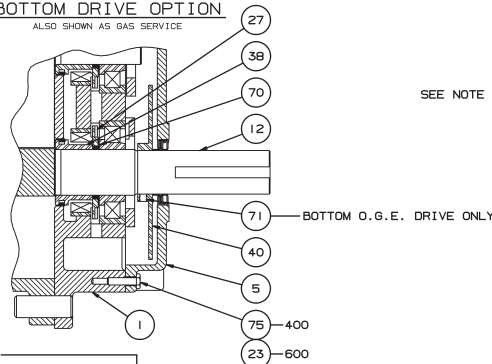


NOTES:

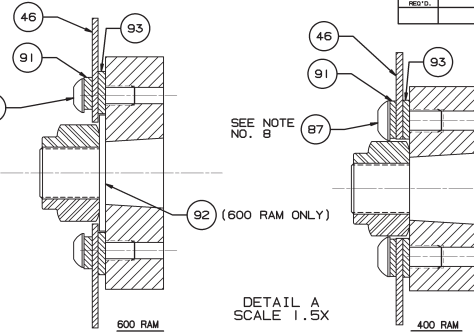
1. DRIVE END COVER TO BE PINNED TO HEADPLATE AFTER ALIGNING SEAL BORE WITH SHAFT WITHIN .001
2. USE TEFLON SEALANT ON ALL PIPE THREADS & CYLINDER TO HEADPLATE FLANGE FOR WHISPAIR GAS PUMP UNITS ONLY.
3. ITEMS 34 & 54 MUST BE INSTALLED WITH OIL GROOVE AT TOP.
4. TORQUE TO 400 FT.LBS.-400
TORQUE TO 630 FT.LBS.-600
5. TORQUE TO 75 FT.LBS.-400
TORQUE TO 140 FT.LBS.-600
APPLY LOCKTITE TO SCREW THREADS & BOTH FACES OF WASHER & SLINGER.
6. TORQUE TO 35 FT.LBS. (HEADPLATE)
7. TORQUE TO 10 FT.LBS. (GEARBOX/END COVER)
8. LOCKTIGHT AND TORQUE TO FT.LBS.-75
9. TWO 1/2 X 3/4 BUSHINGS FOR BREATHERS ON 600 RAM SERIES ONLY.

BOTTOM DRIVE OPTION

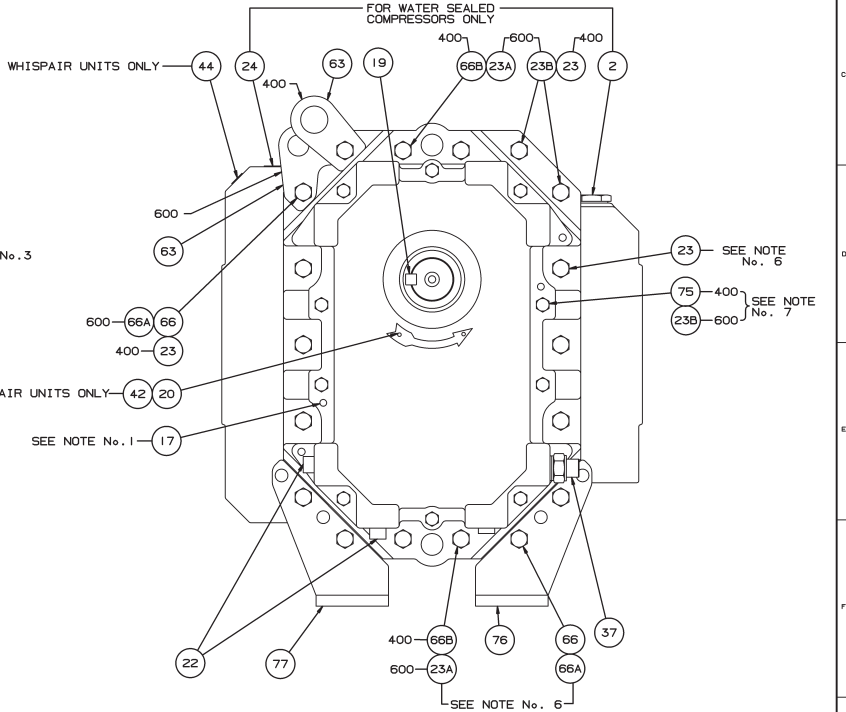
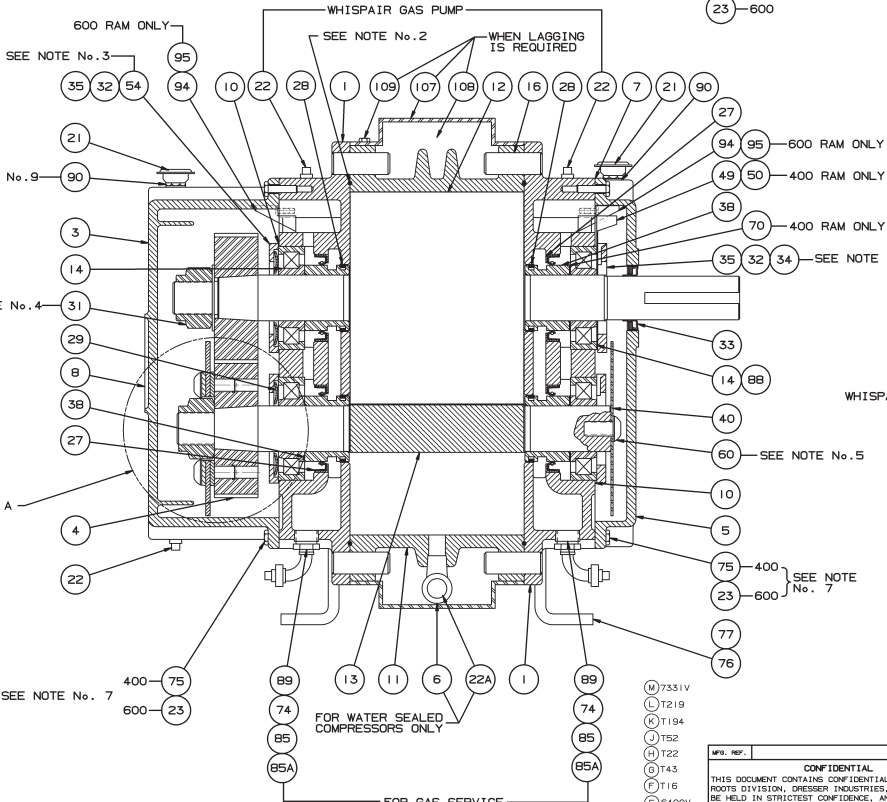
ALSO SHOWN AS GAS SERVICE



SEE NOTE No. 8



REV. NO.	PART NAME	PART NO. PART. NO.	MAT'L



- M) 7331V
- L) T219
- K) T194
- J) T52
- H) T22
- G) T43
- F) T16
- E) 6400V
- D) 5964V
- C) 5767V
- B) 5560V
- A) 5048V

REV. NO.	DESCRIPTION	DATE	BY	CHKD.	APP.	DATE	BY	CHKD.	APP.
S	BOTT. DRIVE OPTION SLINGER REVERSED	7/18/07	DAB	7/18/07	B203V	DR. NER	11/29/06	DR. BMS	11/29/06
R	REVISED GEAR END SLINGERS	1/20-06	AKP	04-06	7854V	APP. RDA	11/29/06		
O	ADDED NOTE TO ITEM 50 & 70	04-06	AKP	04-06	7591V	REV. NER	11/29/06		
P	MOVED LIFTING LUG	4-5-05	AKP	4-5-05	7450V	RDA	11/29/06		
O	ADDED 66B	3/8/05	RDR	3/8/05	7412V	RDA	11/29/06		
N	ADDED LAGGING	2/2/05	TC	2/2/05	7331V	RDA	11/29/06		

REF.	DESCRIPTION	SCALE
EP936	CONCENTRICITY	SCALE 6"=1'-0"
FLATNESS	PERPENDICULARITY	
IRREGULARITY	PROFILE OF LINE	
PARALLELISM	DIAMETER	
TRUE POSITION	FINISH IN MICRO INCHES	
STRAIGHTNESS		

REV. NO.	DESCRIPTION	DATE	BY	CHKD.	APP.

RAM/RAM-J/RAM-GJ/RAM-VJ

SECTIONAL ASSEMBLY
400/600 RAM

DO NOT SCALE FOR DIMENSIONS
ALL DIMENSIONS SHOWN IN BRACKETS () ARE MILLIMETERS

DRESSER
Roots

Dresser ROOTS, Dresser, Inc.
HOUSTON, TX USA

81881023

REV S