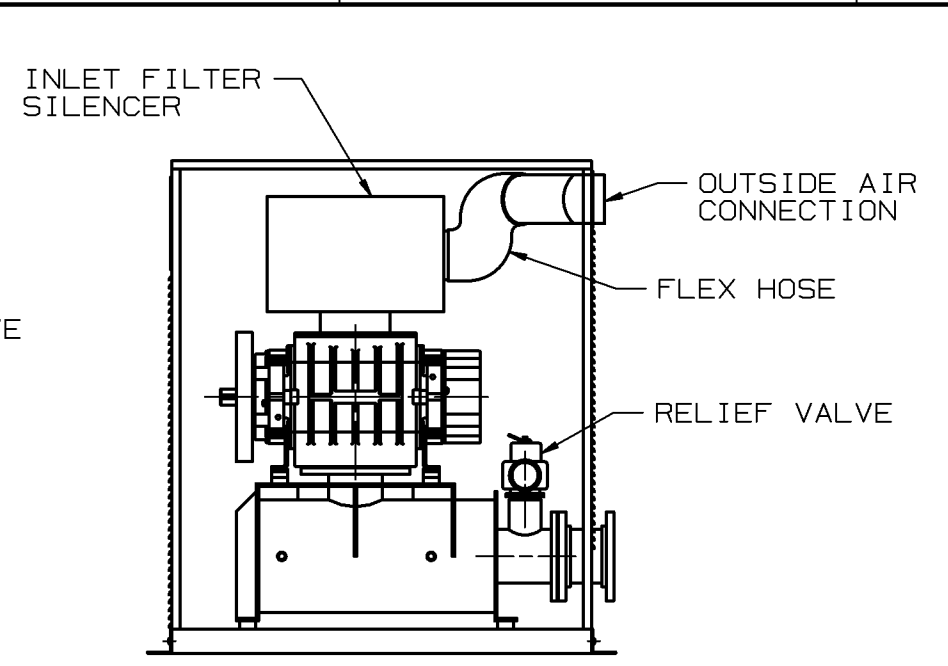
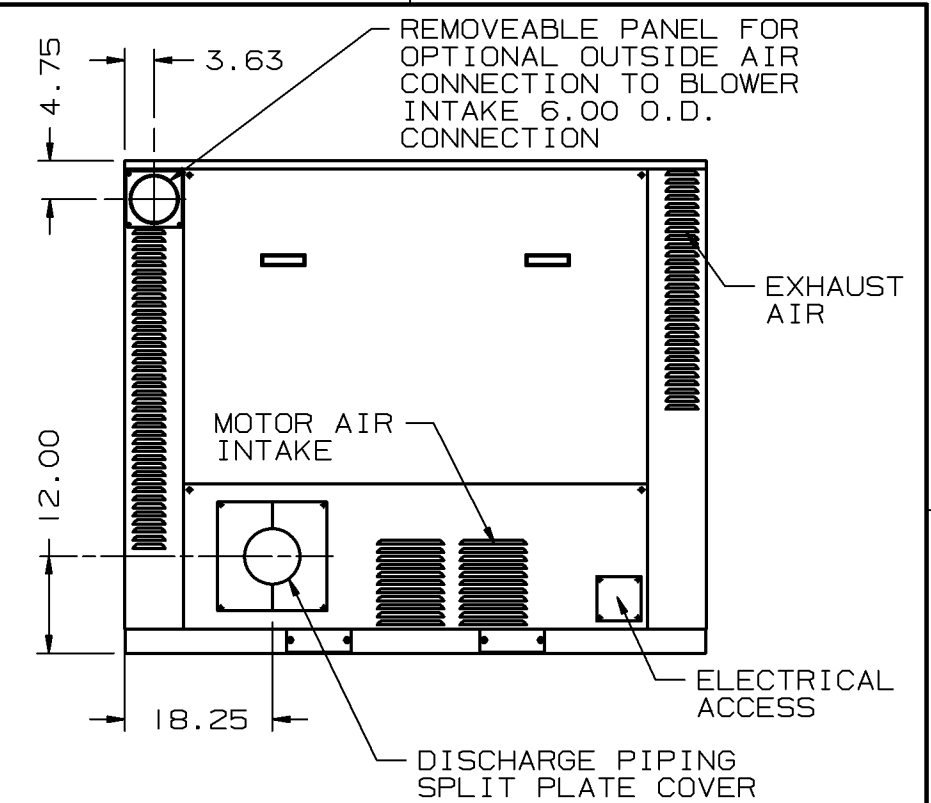


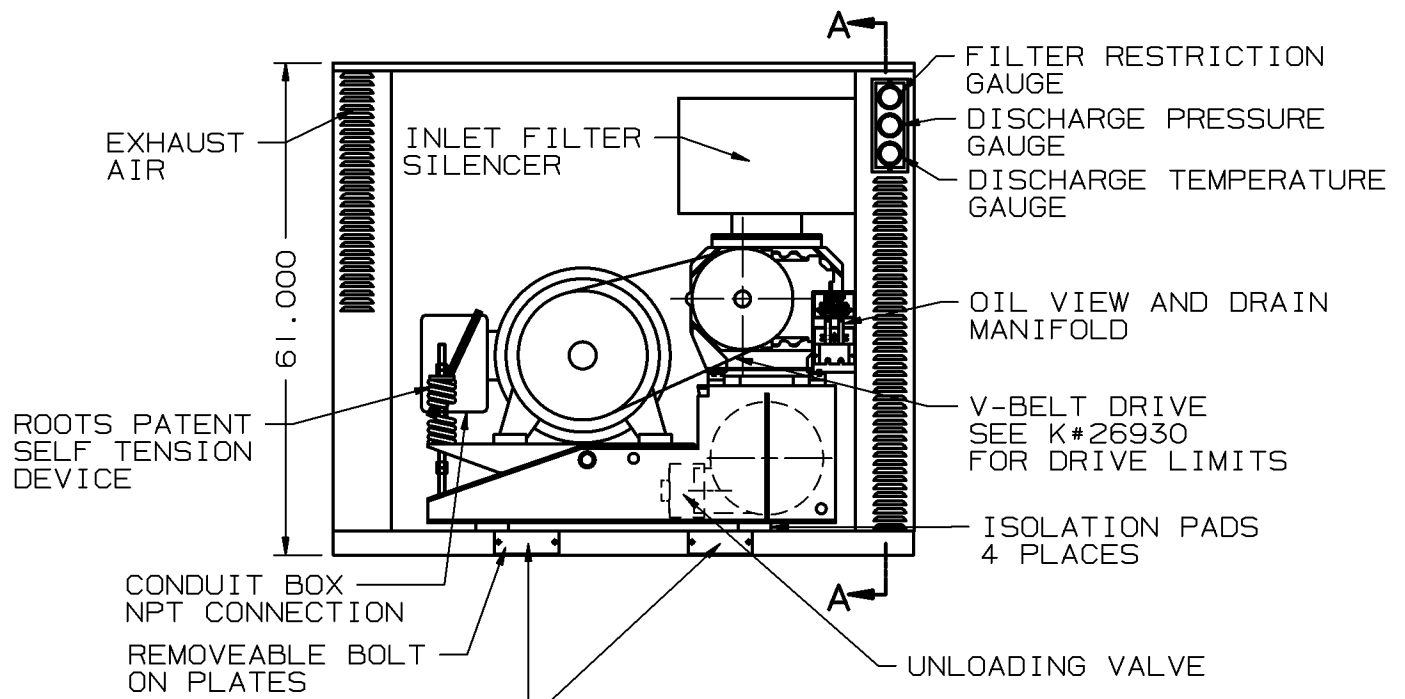
**STANDARD PRESSURE APPLICATION
VIEW WITH TOP REMOVED**



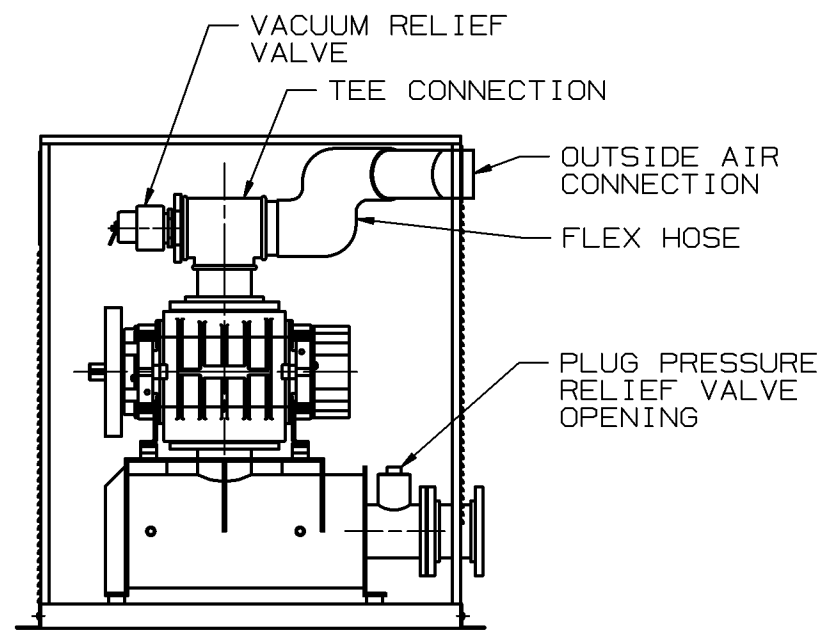
**VIEW A-A
OPTIONAL OUTSIDE
AIR CONNECTION**



BACK VIEW OF ENCLOSURE



**STANDARD PRESSURE APPLICATION
VIEW WITH FRONT PANELS REMOVED**



**VIEW A-A
STANDARD VACUUM
APPLICATION**

C	ADDED 616-8-6 TO DESCRIPTION				
REV	AKP	12/20/06	7583V		
	BY	DATE	CHANGE NOTICE	CHKD.	APP
B	ADDED ENCLOSURE WIDTH DIMENSION				
REV	AKP	10-26-06	7583V		AGP
	BY	DATE	CHANGE NOTICE	CHKD.	APP
A	REV OPTIONAL OUTSIDE AIR CONNECTION FROM 6.00 O.D. PIPE TO 6.00 O.D. CONNECTION				
REV	AKP	9-14-06	7842V		AGP
	BY	DATE	CHANGE NOTICE	CHKD.	APP

CONDUIT BOX NPT CONNECTION
REMOVEABLE BOLT ON PLATES
2.75 X 6.00 OPENINGS FOR FORKLIFT

CONFIDENTIAL

THIS DOCUMENT CONTAINS CONFIDENTIAL INFORMATION OF ROOTS DIVISION, DRESSER INDUSTRIES, INC. IT SHALL BE HELD IN STRICTEST CONFIDENCE, AND BE USED ONLY IN CONJUNCTION WITH ROOTS DIVISION BUSINESS.

**DIMENSIONS AND DATA
CERTIFIED**

PURCHASE ORDER _____
PROJECT _____
LOCATION _____
EQUIPMENT No. _____
ROOTS S/N _____
CERTIFIED BY _____
DATE _____

DR. KEG	9/21/05	DO NOT SCALE FOR DIMENSIONS ALL DIMENSIONS SHOWN IN BRACKETS [] ARE MILLIMETERS	ORDER NUMBER
CHKD.			
APP. RDA	9/28/05	EASYAIR 8000 PACKAGE OUTLINE	
DBV KEG	9/21/05	616-8-6/616J-8-6	
SCALE	1/2" = 1'0"		<small>DIMENSIONAL TOLERANCES UNLESS OTHERWISE SPECIFIED ANCHOR BOLT LOCATIONS ±.13 [3.30] BLOWER INLET & DISCHARGE LOCATIONS ±.25 [6.35] ALL OTHER DIMENSIONS REFERENCE</small>
CAD FILE / DIRECTORY	88889A21		
MISC		Dresser ROOTS, Dresser, Inc. Connersville, IN USA	88889021 REV C