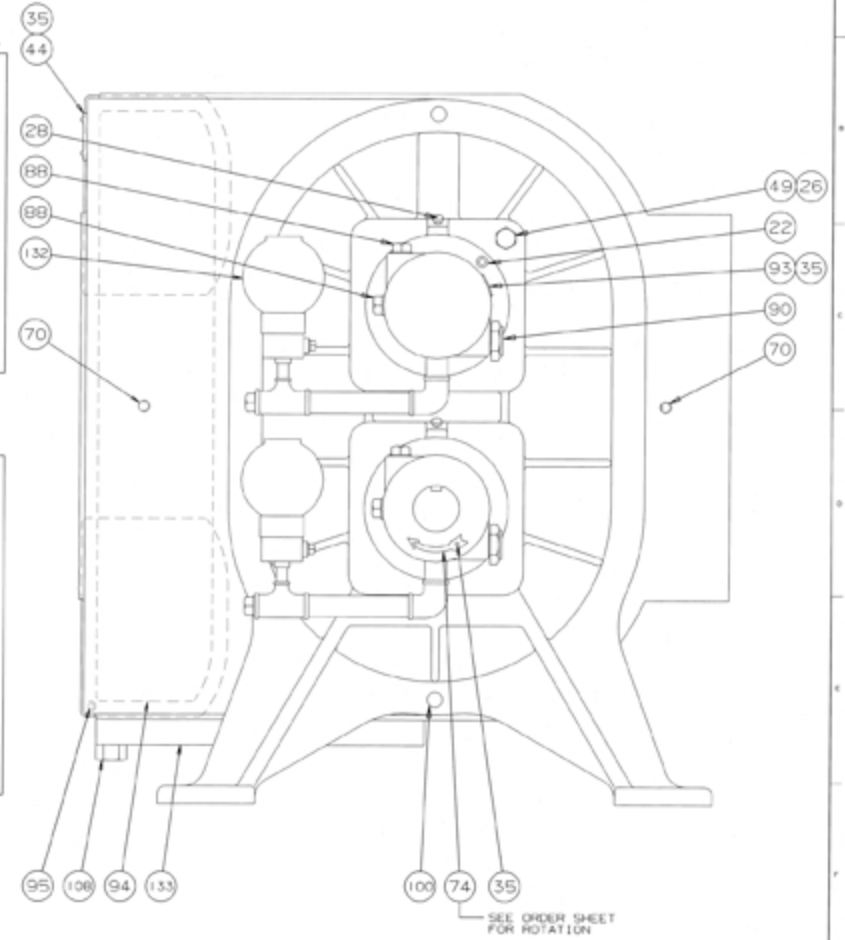
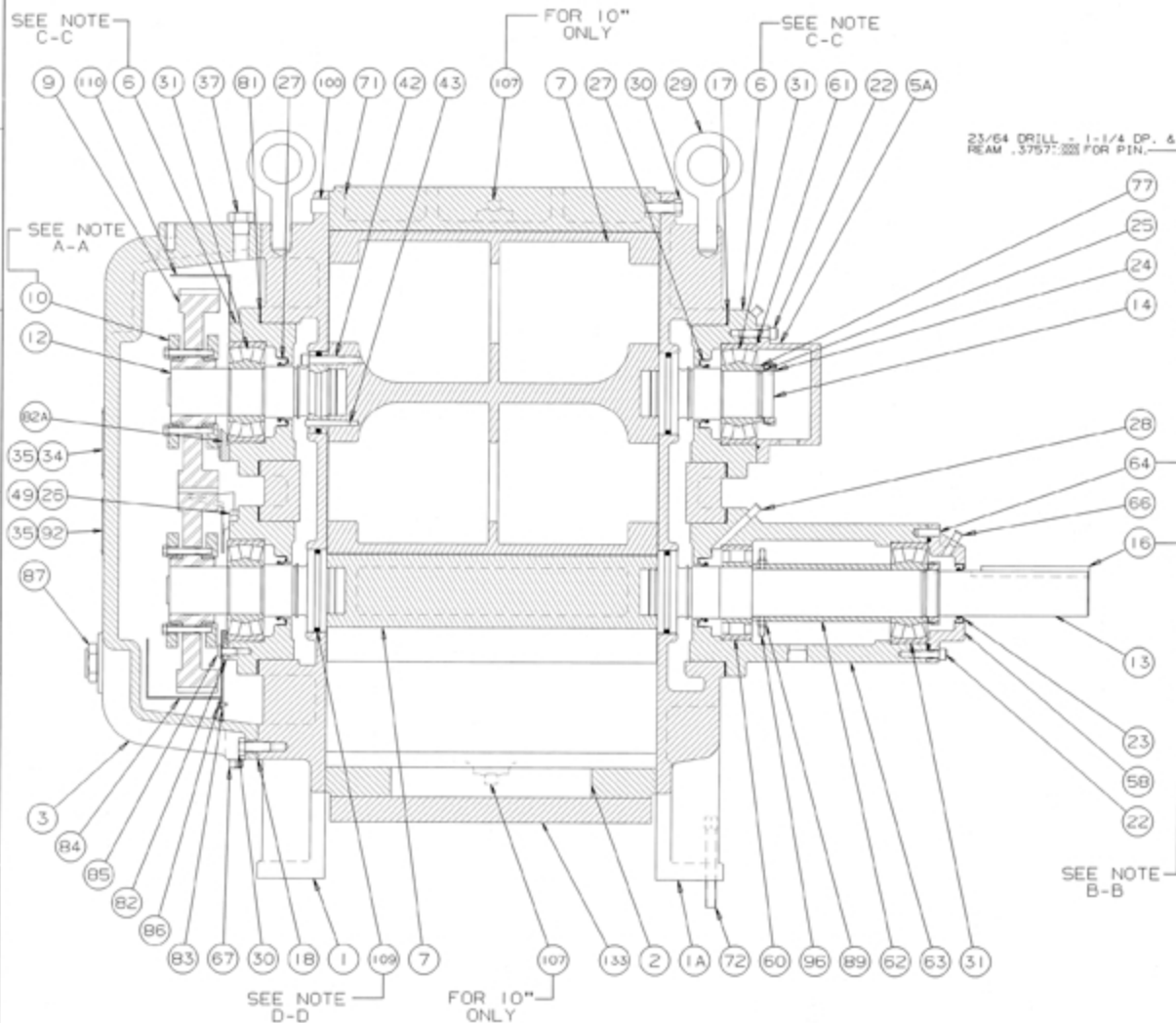


REV.	PART NAME	PART NO.	SIZE	MFL.
------	-----------	----------	------	------

GD	TIGHTENING TORQUE FOR SHAFT FLANGE SCREWS	TIGHTENING TORQUE FOR GEAR SCREWS
10	45 LB. FT.	30 LB. FT.
12	75 LB. FT.	30 LB. FT.



NOTE A-A
TAPERS AND SCREWS MUST BE LUBRICATED WITH MOLYKOTE
GN PASTE OR EQUIVALENT. GEAR FIT MUST BE FREE OF OIL.

NOTE D-D
ITEM 109 TO BE INSTALLED WITH GAP TOWARD
DISCHARGE.

NOTE B-B
KEY IS TO BE GRIND WITH .001 INTERFERENCE
IN SHAFT & .000 INTERFERENCE IN HUB

NOTE C-C
G.E. BEARING CARRIERS ARE TO BE MOUNTED
WITH VENT HOLES ON BOTTOM & D.E. BEARING
CARRIERS TO BE MOUNTED WITH VENT HOLES
ON TOP

REF B95-435-014

CONFIDENTIAL
THIS DOCUMENT CONTAINS CONFIDENTIAL INFORMATION OF
ROOTS DIVISION, DRESSER INDUSTRIES, INC. IT SHALL
BE HELD IN STRICTEST CONFIDENCE, AND BE USED ONLY
IN CONNECTION WITH THE ROOTS DIVISION BUSINESS.

REF. SYMBOL: C/P PLANNER, H/W, P, PARALLEL, T, TRUE POSITION, S, STRAIGHTNESS, G, GEOMETRICITY, F, FORM, PROFILE OF LINE, R, PROFILE OF A SURFACE, D, DIAMETER, F, FINISH ON HOLE, D, FINISH ON HOLE

REV.	DATE	BY	CHK.	APP.	SCALE	NOTE
1	03/10/04					
2	05/23/05					
3	05/23/05					
4	05/23/05					

DO NOT SCALE FOR DIMENSIONS
ALL DIMENSIONS UNLESS OTHERWISE SPECIFIED ARE IN MILLIMETERS

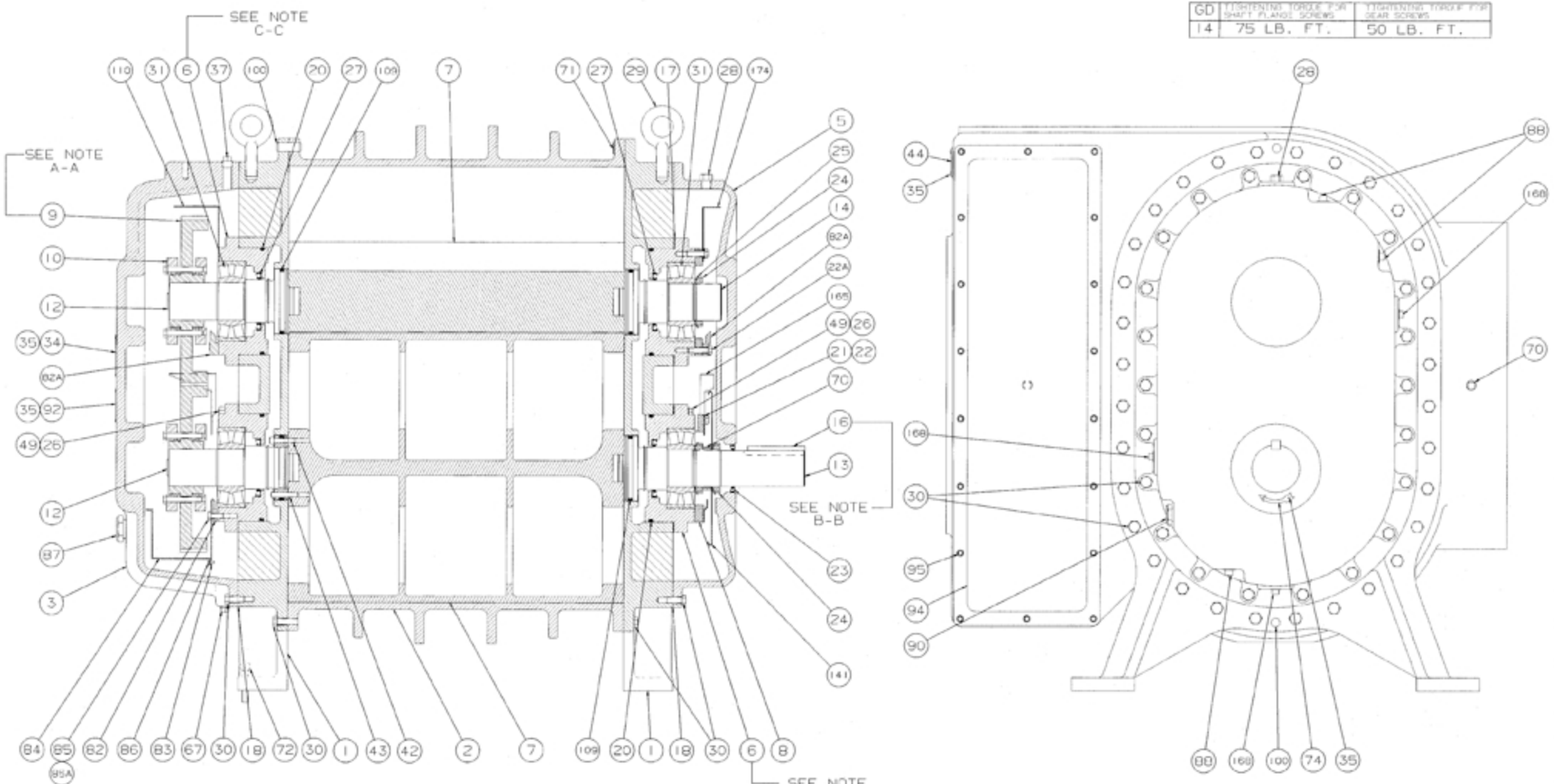
SECTIONAL ASSEMBLY
FOR 10" THRU 12" DVJ-V V-BELT DRIVE
SPLASH LUBE

ROOTS DRESSER

DRESSER INDUSTRIES, INC.
ROOTS DIVISION
100 WEST MOUNT STREET
COPPERVILLE, INDIANA 47331

868-967-013

GD	TIGHTENING TORQUE FOR SHAFT FLANGE SCREWS	TIGHTENING TORQUE FOR GEAR SCREWS
14	75 LB. FT.	50 LB. FT.



NOTE A-A
TAPERS AND SCREWS MUST BE LUBRICATED WITH MOLYKOTE
GN PASTE OR EQUIVALENT. GEAR FIT MUST BE FREE OF OIL.

NOTE B-B
KEY IS TO BE GROUND WITH .001 INTERFERENCE
IN SHAFT & .000 INTERFERENCE IN HUB

NOTE C-C
G.E. & O.G.E. BEARING CARRIERS ARE TO BE MOUNTED
WITH VENT HOLES ON BOTTOM.

SEE NOTE
B-B

SEE NOTE
C-C

REF. 075-262-013
REV. 305-013

CONFIDENTIAL

THIS DOCUMENT CONTAINS CONFIDENTIAL INFORMATION OF
ROOTS DIVISION, GEORGE INGLETON, INC. IT SHALL
BE HELD IN STRICTLY CONFIDENTIAL, AND BE USED ONLY
IN CONNECTION WITH ROOTS DIVISION BUSINESS.

REV. 07508	CONFIDENTIAL	DATE	BY
07508	CONFIDENTIAL	07-13-53	WJ
07508	CONFIDENTIAL	07-13-53	WJ
07508	CONFIDENTIAL	07-13-53	WJ

B	REVISED PER COV	DATE	BY
A	ADDED ITEM 109	07-13-53	WJ
	REVISED	07-13-53	WJ

DO NOT SCALE FOR DIMENSIONS

FIG. 107-1392 14" DVJ-V BLOWERS

SECTIONAL ASSEMBLY

ROOTS DIVISION
100 WEST WENT STREET
CORNVILLE, INDIANA 47331

ROOTS **GE-SERV**

875-601-013

60	TIGHTENING TORQUE FOR SHAFT FLANGE SCREWS
10	45 LB. FT.

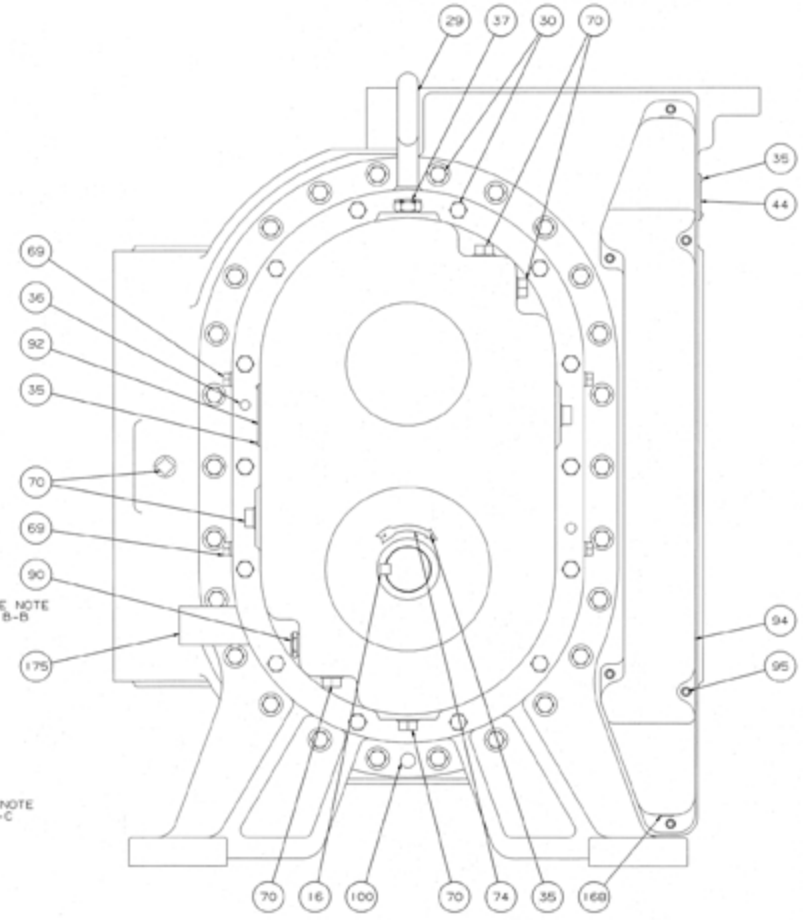
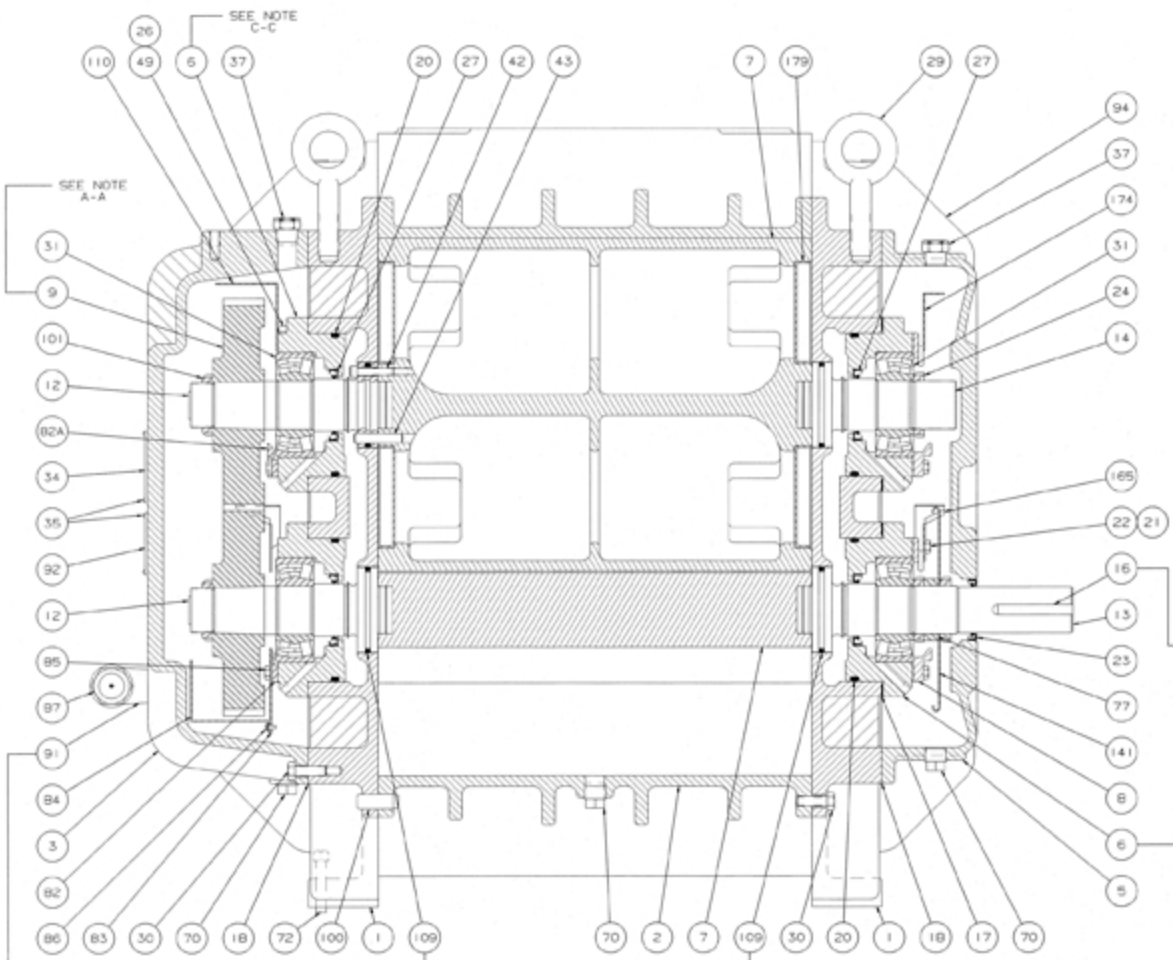
NOTE A-A
GEAR FIT MUST BE FREE OF OIL.

NOTE B-B
KEY IS TO BE GROUND WITH .001 INTERFERENCE
IN SHAFT & .000 INTERFERENCE IN HUB.

NOTE C-C
O.E. & O.G.E. BEARING CARRIERS ARE TO BE MOUNTED
WITH VENT HOLES ON BOTTOM.

NOTE D-D
SIGHT GLASS (87) & STREET ELBOW (91) TO BE MOUNTED
LEVEL WITH HORIZONTAL C/L TO OBTAIN PROPER OIL LEVEL.

NOTE E-E
ITEM 100 TO BE INSTALLED WITH GAP TOWARDS DISCHARGE.



SEE NOTE
A-A

SEE NOTE
C-C

SEE NOTE
B-B

SEE NOTE
C-C

SEE NOTE
D-D

SEE NOTE
E-E

REF 888-763-013

CONFIDENTIAL

THIS DOCUMENT CONTAINS CONFIDENTIAL INFORMATION OF
ROOTS-DRESSER. IT SHALL BE HELD IN STRICTEST CONFIDENCE, AND BE USED ONLY
IN CONNECTION WITH ROOTS-DRESSER BUSINESS.

REF. SYMBOL	CONCENTRICITY
□ FLATNESS	□ PERPENDICULARITY
□ ANGULARITY	□ PROFILE OF LINE
□ PARALLELISM	□ PROFILE OF SURFACE
□ TRUE POSITION	□ CHAMFER
□ STRAIGHTNESS	□ FINISH IN MESH DICES

REV	DATE	BY	CHKD	APP	DESCRIPTION

77027-013

REF PARTS / XXG

SCALE 4" = 1'-0"

DO NOT SCALE FOR DIMENSIONS 4020-D

ALL DIMENSIONS SHOWN IN BRACKETS () ARE UNLATTERED

SECTIONAL ASSEMBLY
FOR 1021 DV-J-V CSL UNIT (TRUCK MOUNT)

ROOTS-DRESSER
ROOTS DIVISION
300 WEST MOUNT STREET
CONOVERVILLE, INDIANA 47531

877-227-013