

Value and Strong Performance in Vacuum Blowers for Carpet Cleaning Applications

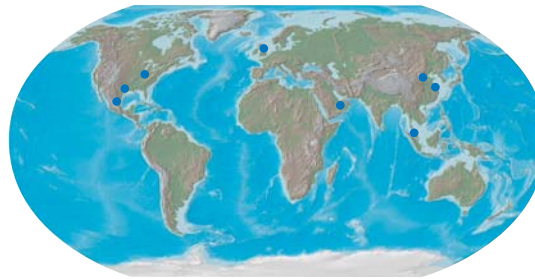
Dresser Roots Universal RAI® and URAI-DSL vacuum blowers set the performance bar for carpet cleaning operations.

The URAI offers Roots original bi-lobe design in a heavy-duty, compact vacuum blower engineered for continuous use with maximum reliability. The URAI has detachable mounting feet which permits easy in-field vertical or horizontal installation.

The Dual Splash Lubrication (DSL) model features oil lubrication on both the gear end and drive end. The DSL feature dramatically extends vacuum blower life.

Strongest Warranty in the Industry

The ROOTS™ vacuum blowers shown here are warranted for two years plus an additional 6 months for shipping and construction where required. ROOTS synthetic oil assures top performance and warranty acceptance for lubricants. Contact your Dresser Roots sales team for more information on the best vacuum blower for your carpet cleaning needs.



Dresser Roots Sales

Houston, TX • Toll Free: 1-877-363-ROOT(S) (7668)

Direct: 832-590-2600

Huddersfield, UK • Ph: +44 (0) 1484 42 22 22

Mexico City, Mexico • Ph: +52 55 5889 5811

Dubai, UAE • Ph: +971 4-8830831

Kuala Lumpur, Malaysia • Ph: +60 3 2163 0480

Beijing, China • Ph: +86 10 8486 2440

Dresser Roots Factory Service & Repair

Houston, TX • Ph: 713-896-4810

Huddersfield, UK • Ph: +44 (0) 1484 48 76 69

Mexico City, Mexico • Ph: +52 55 5889 5811

Dubai, UAE • Ph: +971 4-8830831

Shanghai, China • Ph: +86 21 5858 7638



Roots

website: www.rootsblower.com

US email: roots@dresser.com

UK email: dmd_roots@dresser.co.uk

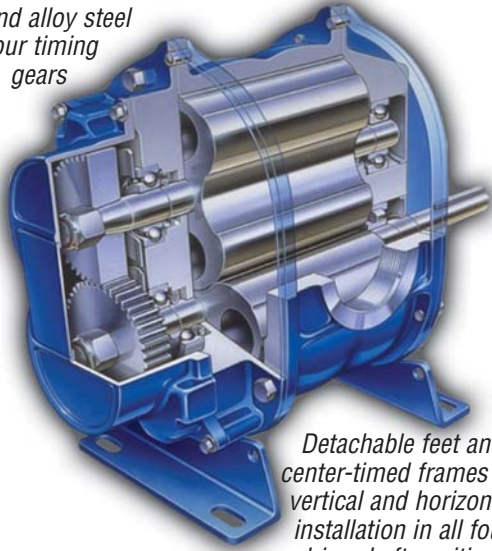
TSF-Connections 06

©2006 Dresser, Inc. • All rights reserved. • Printed in the U.S.A. • Roots is a trademark of Dresser, Inc. • Universal RAI is a registered trademark of Dresser, Inc. All information subject to change without notice.

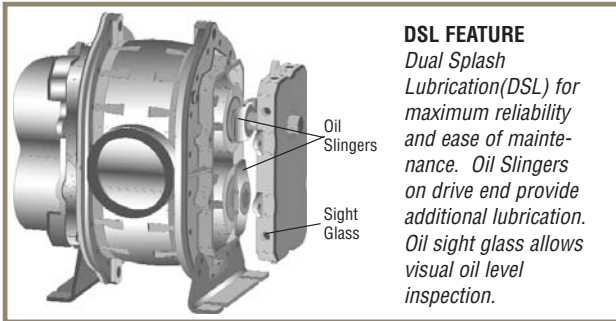
Clean Up with Dresser Roots



Carburized and ground alloy steel spur timing gears

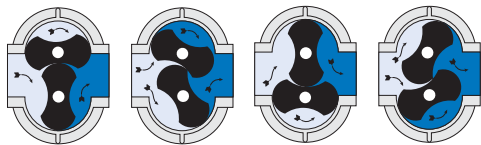


Detachable feet and center-timed frames for vertical and horizontal installation in all four drive shaft positions



DSL FEATURE
Dual Splash Lubrication (DSL) for maximum reliability and ease of maintenance. Oil Slingers on drive end provide additional lubrication. Oil sight glass allows visual oil level inspection.

Rotary Positive Blower Principle of Operation



Two figure-eight lobe impellers mounted on parallel shafts rotate in opposite directions. As each impeller passes the blower inlet, it traps a finite volume of air and carries it around the case to the blower outlet, where the air is discharged. With constant speed operation the displaced volume is essentially the same regardless of pressure, temperature or barometric pressure. Timing gears control the relative position of the impellers to each other and maintain small, but defined, clearances. This allows operation without lubrication being required inside the air casing.

Universal RAI®-DSL



- Splash lubrication at both ends
- Sight glass allows accurate oil level confirmation
- Cost effective URAI design

Universal RAI®



- Cost effective design
- Rigid one-piece cast iron casing
- Oversized antifriction bearings
- Figure-eight gearbox design for improved oil distribution

VACUUM BLOWER PERFORMANCE FOR CARPET CLEANING APPLICATIONS

Frame Size	Max Speed	CFR	Free Air CFM	Free Air m ³ /hr	Max Vac " HG Vac	Max Vac mbar Vac	Warranty Term* (Months)
32	3600	0.045	162	275	16" HG	542 mbar Vac	24/30
33	3600	0.0616	222	377	15" HG	508 mbar Vac	24/30
36	3600	0.102	367	624	15" HG	508 mbar Vac	24/30
42	3600	0.0605	218	370	16" HG	542 mbar Vac	24/30
45	3600	0.121	436	741	16" HG	542 mbar Vac	24/30
47	3600	0.1595	574	975	15" HG	508 mbar Vac	24/30
53	2850	0.1318	376	639	16" HG	542 mbar Vac	24/30
56	2850	0.221	630	1071	16" HG	542 mbar Vac	24/30
59	2850	0.323	921	1565	15" HG	508 mbar Vac	24/30
65	2350	0.246	578	982	16" HG	542 mbar Vac	24/30
68	2350	0.395	928	1577	16" HG	542 mbar Vac	24/30

* These blowers come with a 24 month warranty with an additional 6 months for shipping and construction if required.